

Cool solutions to thermal problems.

Rocky  
Research

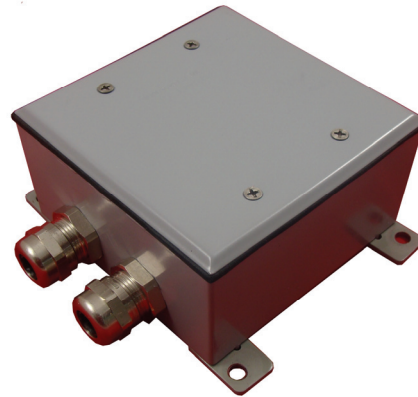
COMMERCIAL | INDUSTRIAL | DEFENSE

SAZ0500  
SAR0500  
SAI0500

#### Key Features

- Designed to Withstand Harsh Environments
- Rugged Housing
- Addressable Communication
- Environmental and EMI Feed-Thrus
- Ease of Wiring

## Rocky Research ZAM, Relay IAM and Isolator Module Assemblies



Utilizing commercial-off-the-shelf, state-of-the-art components, Rocky Research has designed product module assemblies for a Zone Adapter Module (ZAM), Individual Addressable Relay Module (Relay IAM), and Addressable IDNET™ Isolator Module which provide high reliability fire detection in industrial and military environments. Rocky Research has designed and tested these product module assemblies along with the Advanced Fire and Smoke System to withstand harsh environments encountered aboard Navy ships – high shock, vibration, EMI, and temperature levels.

The Rocky Research designed ZAM, Relay IAM, and Isolator Module Assemblies are built with an aluminum housing and utilize a cable feed-thru design to meet EMI and environmental requirements while providing ease of installation. The housing has multiple entry points for wiring to allow flexibility at installation.

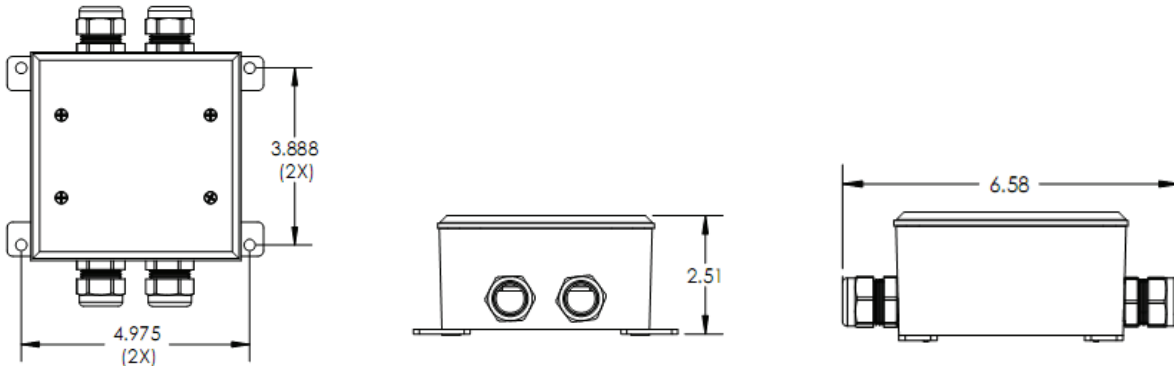
The ZAM Assembly **SAZ0500** provides an addressable interface to a conventional initiating device circuit. The Relay IAM Assembly **SAR0500** allows fire alarm control panels remote access using addressable communication, while allowing local control of auxiliary systems. The Isolator Assembly **SAI0500** provides increased system integrity through electrical isolation of network segments.

## System Specifications

Technology:	Addressable Fire Detection and Control Electronics
Device:	SAZ0500 ZAM Assembly (Zone Adaptor Module) The ZAM provides an addressable interface to a conventional initiating device circuit (IDC).
Device:	SAR0500 Relay IAM Assembly (Individual Addressable Module) The Relay IAM allows fire alarm control panels to control remotely located form “C” relays using the addressable communication for both data and power.
Device:	SAI0500 Isolator Assembly Isolators provide ease of installation and provide increased system integrity.
Power:	24VDC
Communication:	IDNet™

## Physical Specifications

Form Factor:	Overhead or Wall-Mount Installation
Dimensions:	Module Assembly – 2.51” H x 6.58” W
Weight:	2.0 lbs
Mounting:	4 mounting tabs with hole maximum screw ¼-20



## Environmental Specifications – Designed to Meet

Shock:	MIL-STD-901D, Grade A, Class I, Type A
Vibration:	MIL-STD-167-1A, Certified
EMI:	MIL-STD-461E and F, Certified
Temperature:	0° to 65° C
Enclosure Protection:	MIL-E-2036, Drip-Proof up to 15 degrees